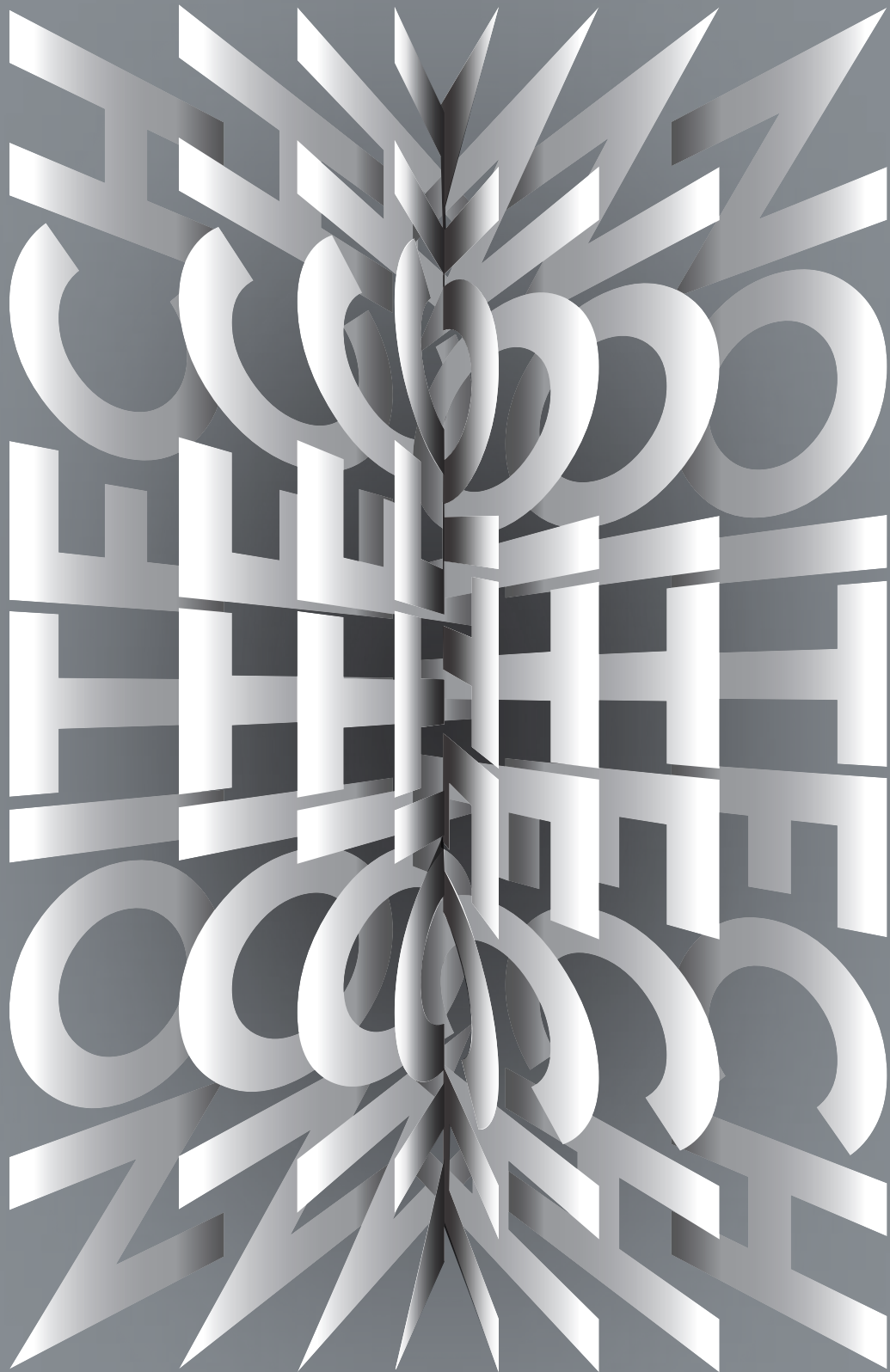


 iNOITECH



the ideal partner in filtration

INDEX

04

The Company

06

The People

08

Continuous
Support

10

The Laboratory

12

The four "S"
to success

14

The Warehouse

16

INDUSTRY 4.0
Automatic
warehouses

20

Products range

22

Air-oil separator
for compressor

23

Air filters for
compressors

24

Complete air filters
for compressors

26

Panel Filters

27

Oil filters for
compressors

28

In-line filters

29

Compressed
air treatment
accessories

30

Water-oil
separators

31

Separator filters
for Rotary/Vane
vacuum pumps

32

Air filters for
vacuum pumps

33

Complete air filters
for vacuum pumps

36

Hydraulic and
oil-wetted
marine filters

38

Silencers,
Mufflers and
Oil Bath Filters

40

Vane and Gasket
kit for vacuum
pumps

41

SCB
Condensate Drains

42

SEPURA
Condensation
Treatment

44

On-line order

46

Warranty

47

Rina Certificate





**All solutions
lead to one partner**

THE COMPANY

NOITECH Srl was founded in 2004 thanks to the expertise and know-how of the founders.

As partner of the main filter manufacturers for compressors and vacuum pumps, Noitech leads the Italian market and exports to over 80 countries in the world, original and aftermarket products.

Noitech's mission is to offer the best mix of:

Expertise: thanks to a team with decades of experience in spare parts for compressors and vacuum pumps.

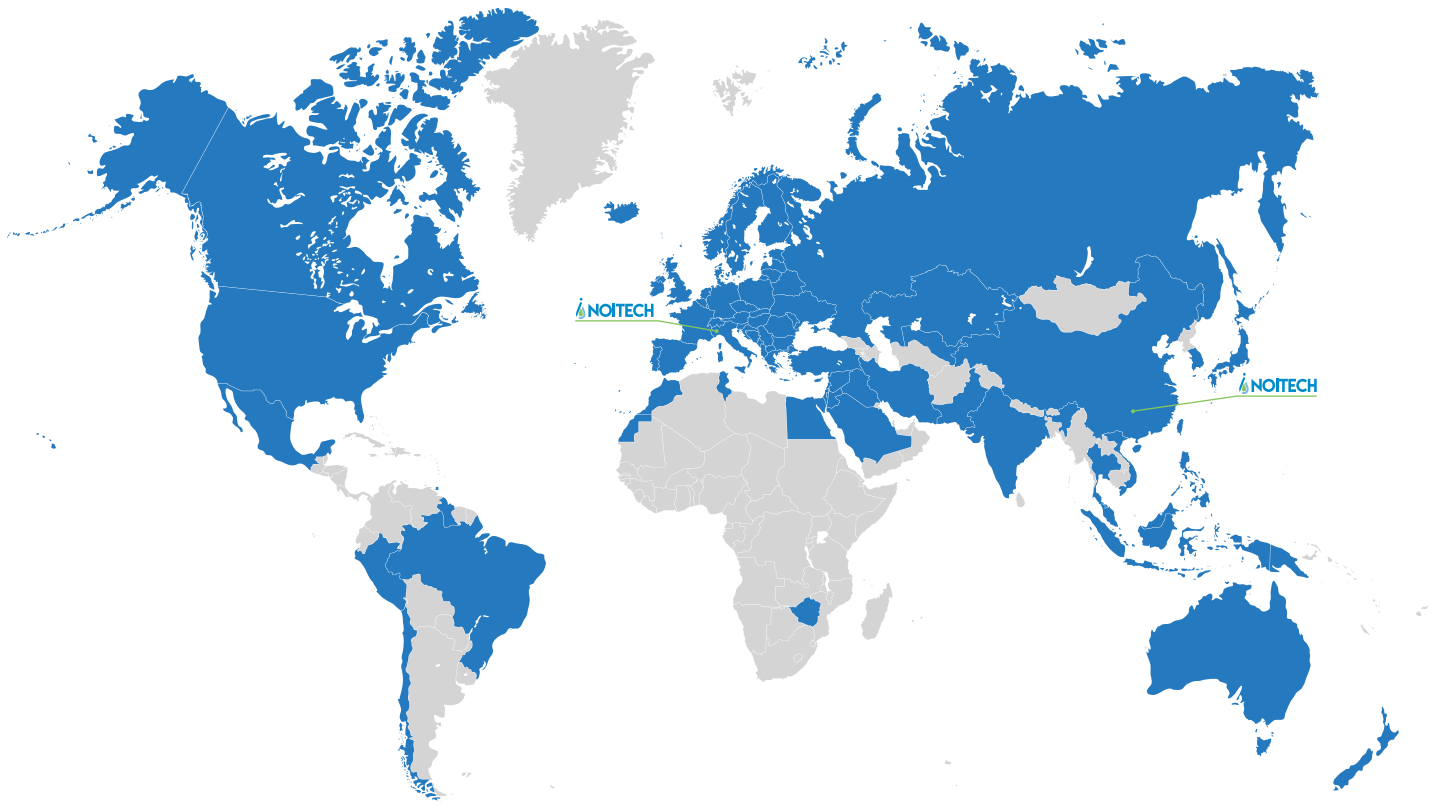
Product range: with over 80.000 codes always up to date.

Price: thanks to partnerships with the main manufacturers Noitech is able to offer the best products at competitive prices.

Service: Noitech provides the customer with a personalized service ranging from product identification to after-sales assistance.



OUR PLANTS AROUND THE WORLD



Our effort in providing a flexible service to worldwide customers.



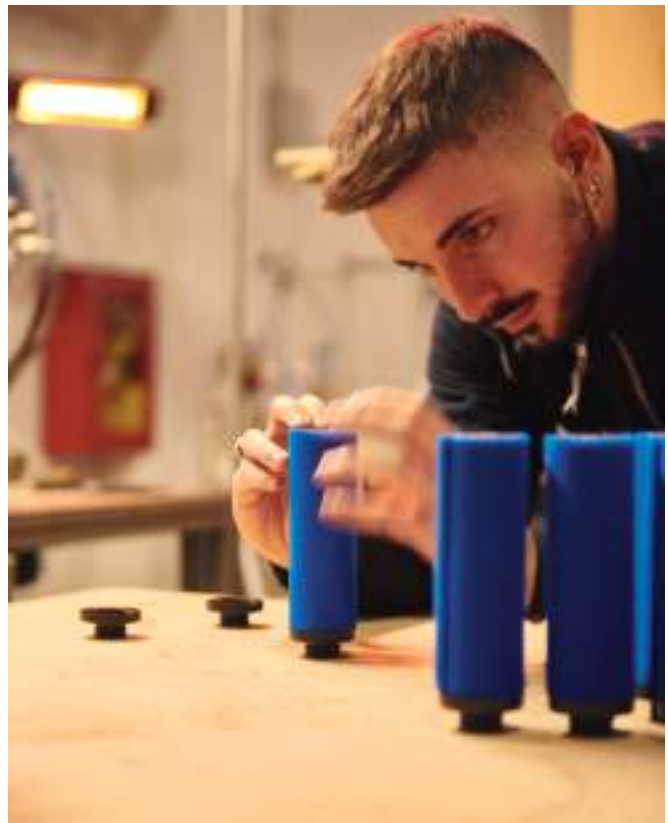
China Branch

THE PEOPLE

Thanks to a team with decades of experience in spare parts for compressors and vacuum pumps, we are able to provide the best service possible to our clients, both in terms of product quality and customer service regarding orders, delivery and special requests: we are always ready to find the best solution that fits the needs of customers all around the world.

**“PROFESSIONALS
AT YOUR SERVICE”**





CONTINUOUS SUPPORT

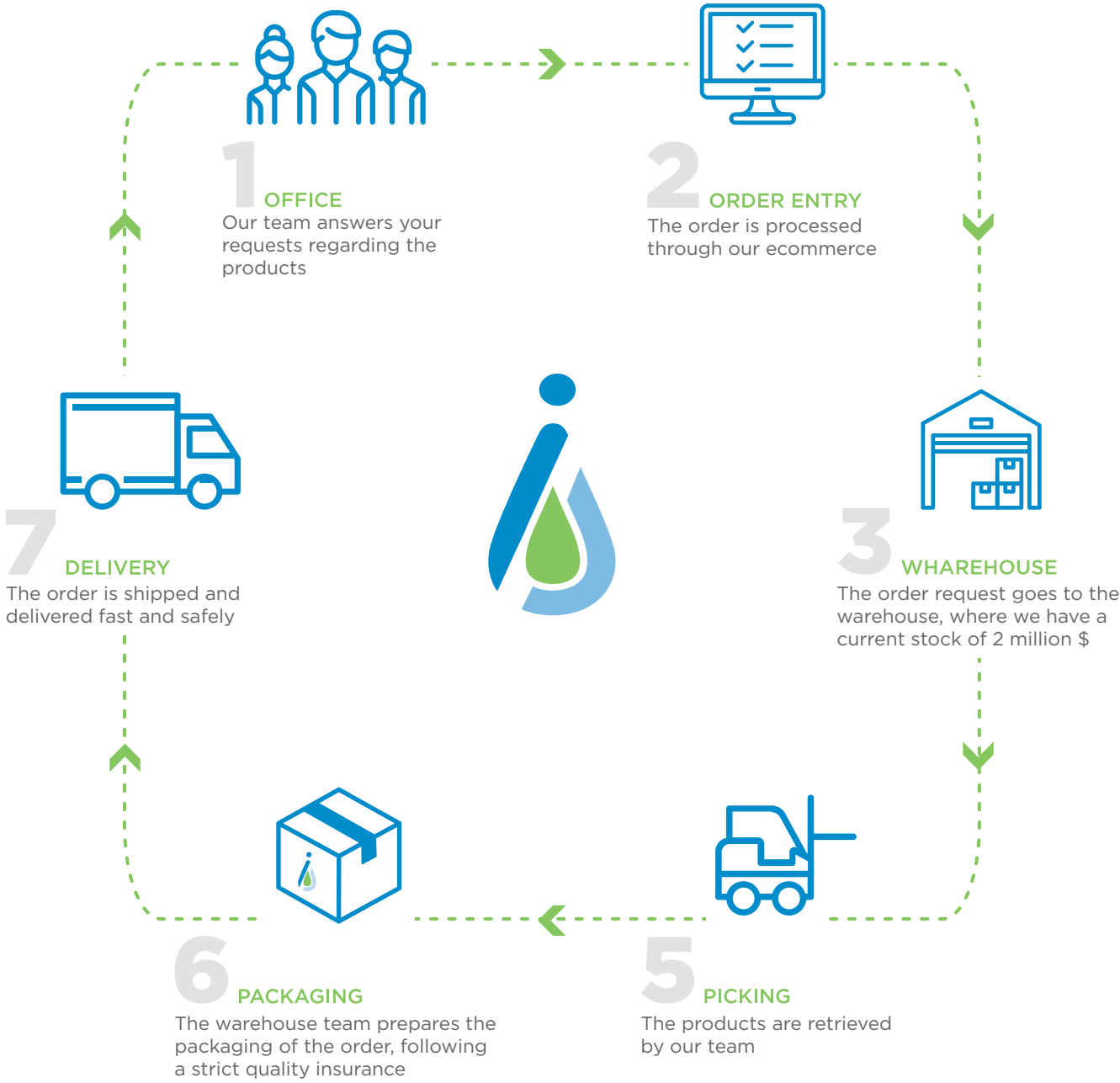
Noitech's services have been designed from a continuous confrontation with maintenance professionals for compressors and vacuum pumps.

PROCESS MANAGEMENT

All of Noitech's processes are optimized with the objective to be the best partner for our clients.



THE PROCESS OF YOUR ORDER

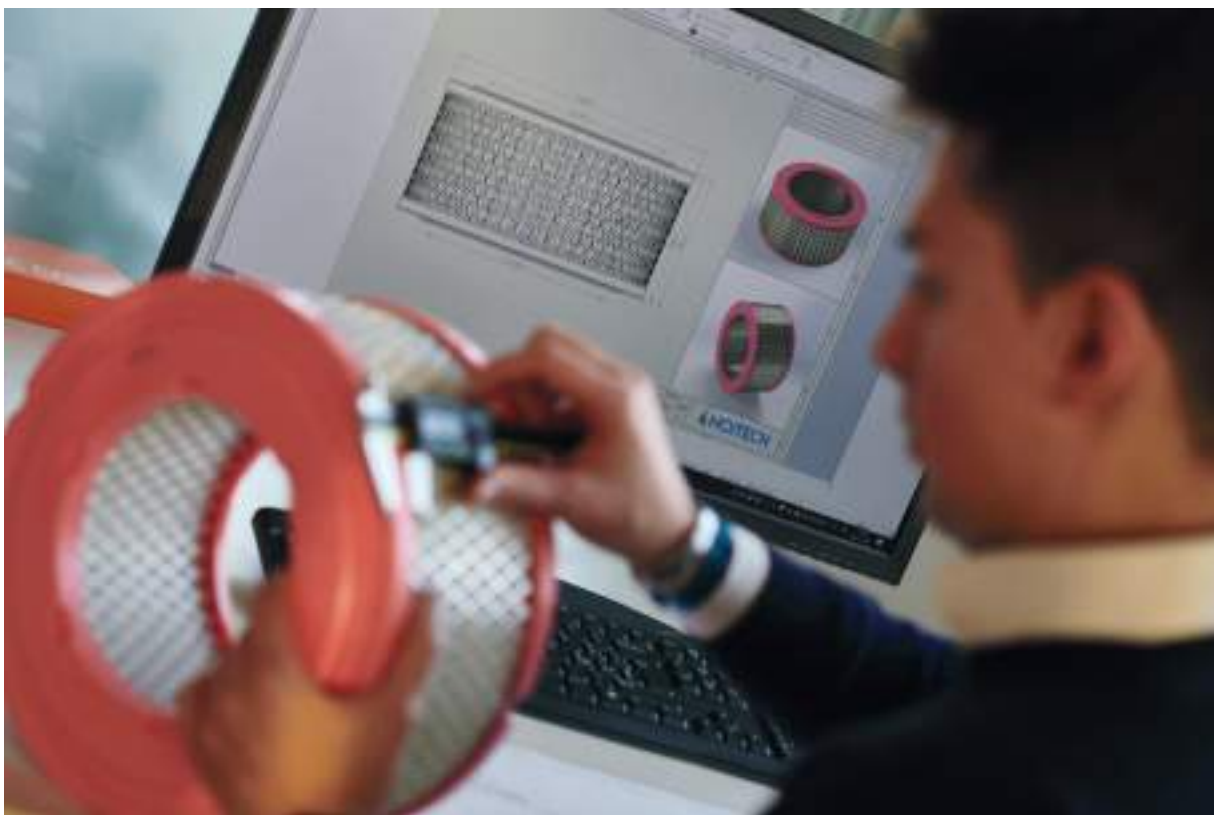


THE LABORATORY

Our laboratory is built to test and improve our filters and separators for vacuum pump, in order to guarantee a higher level of quality in the products that we provide you.

**OUR CONSTANT RESEARCH IS
WHAT GIVES US THE CERTAINTY
OF MAKING THE DIFFERENCE.**





THE FOUR “S” TO SUCCESS

SERVICE

Consists in the fulfillment of urgent orders without any additional costs.



SUITED

The constant attention to customer needs drives Noitech to design, develop and produce custom filters on specific request.

SUPPORT

Noitech Staff supports customers daily in choosing the most suitable products with prompt and competent consultancy.



STOCK

Noitech is a partner able to offer a complete range of spare parts for vacuum pumps and compressors, in-line filters, accessories and maintenance kits for compressed air.



THE WAREHOUSE

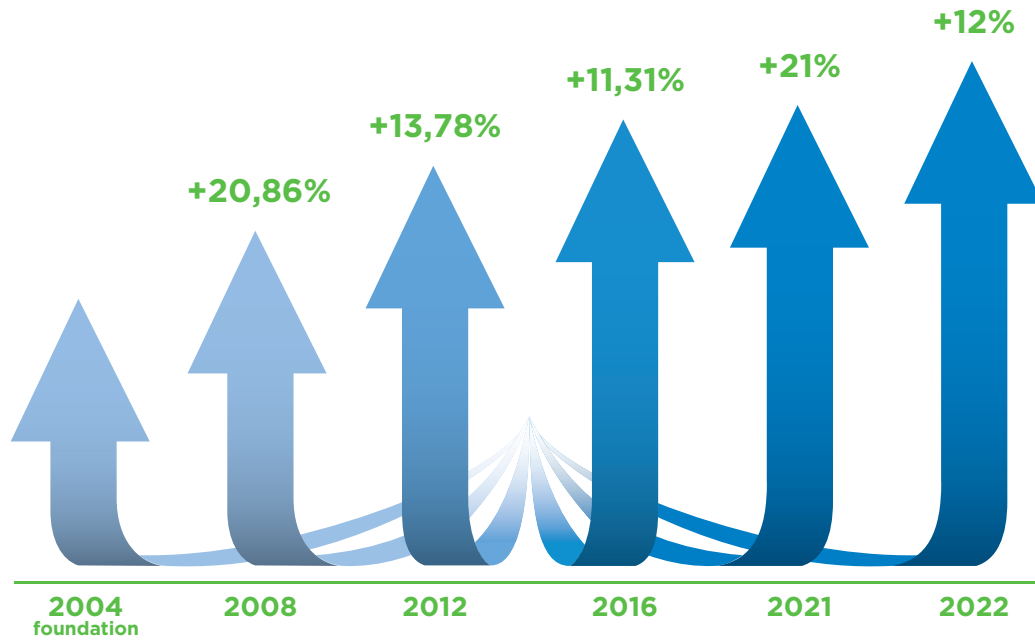
The company is located on an area of 3.800 square meters, of which 300 square meters for office use, and 3.500 square meters for ware house where the logistics and handling activities and storage.

Over 1.000,000 pieces are handled every year, with a warehouse stock currently valued at 2 million \$.

Our logistic unit has over 80.000 codes for the national market and for the international market.



TURNOVER GROWTH OVER THE YEARS



“WE LOVE TO MAKE THE DIFFERENCE”



INDUSTRY 4.0

AUTOMATIC WAREHOUSES

The Modula vertical lift system is the ideal solution for a 4.0 automation system, organized to store any industrial products, components or spare parts, allowing to improve workflow thanks to its software which allows use as a vertical storage system or as a stand-alone system that manages all possible warehouse operations or, a combination of both.






MODULA
LIFT

www.modula.com


MODULA
LIFT

**The ideal
partner
in filtration**

PRODUCTS RANGE

Compressed and vacuum air are essential inputs across all fields of industrial manufacturing in order to keep the production lines in motion.

Noitech offers a wide range of aftermarket products made to reduce your filter maintenance costs without making sacrifices in the overall quality of the product.







AIR OIL SEPARATORS FOR COMPRESSORS

Noitech separators are manufactured specifically for installation in screw or vane compressors, with a wide range that also includes baskets and spin-on ones, and an overall quality that is kept on par with the original components.



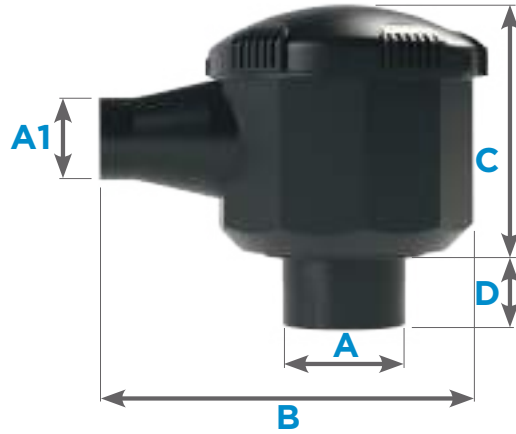
AIR FILTERS FOR COMPRESSORS

Noitech supplies a wide range of cellulose and polyester air filters for compressor, in order to satisfy each and every particular necessity of our clients.



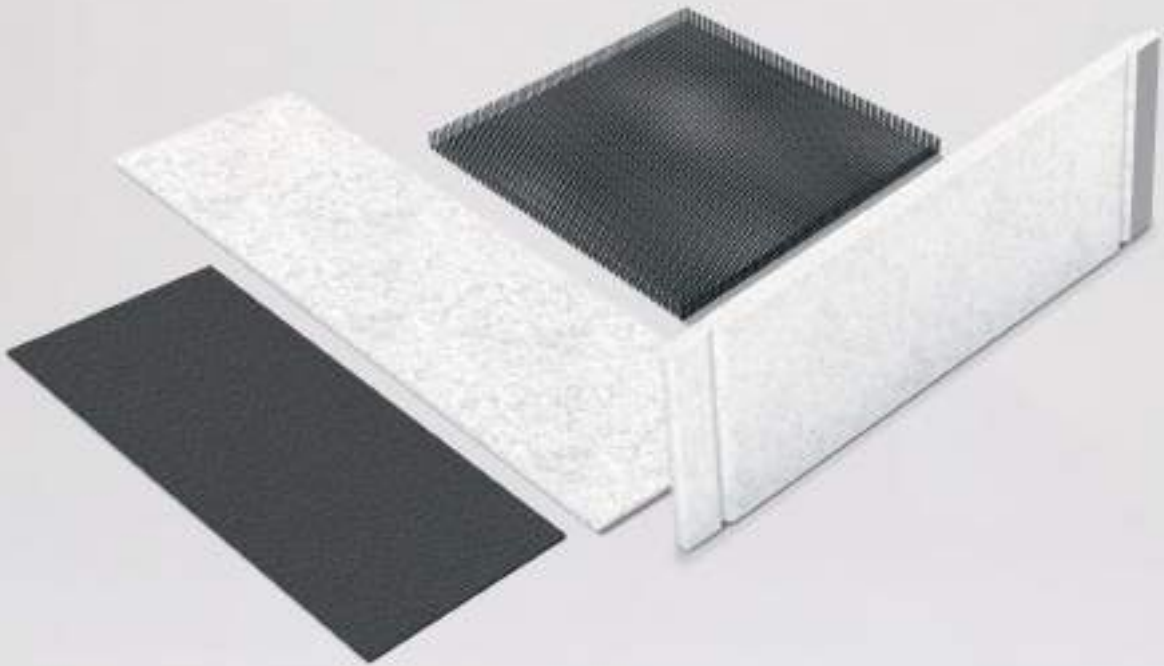
COMPLETE AIR FILTERS FOR COMPRESSORS

The product is composed of a plastic housing and a cellulose air filter, in order to guarantee a great degree of efficiency inside of a fairly contained space. Noitech offers these filters in four models, varying in terms of capacity, from 30 m³/h up to a great 120 m³/h.



COMPLETE AIR CLEANERS FOR COMPRESSORS

NOITECH CODE	FLOW RATE M3/H	CONNECTION		DIMENSIONS			
		A	A1	B	C	D	PAPER ELEMENT
NH 100022	30	40	32	135	93	22	NA 098260
NH 100023	60	40	34	192	110	25	NA 084760
NH 100024	60	52	34	192	110	24	NA 084760
NH 100025	120	52	54	247	171	24	NA 093160



PANEL FILTERS

These Filters are available in two main materials: a flexible expanded polyurethane foam and a polyester fiber, both fit for applications on compressors and available as slabs or pre-cut to fit the size of the original filter.



OIL FILTERS FOR COMPRESSORS

Noitech oil filters guarantee high performances with pressures of up to 30 bar and protect your compressor against damage to rotors and bearings.



IN-LINE FILTERS

We offer a wide range of in-line filters suitable for all grades of filtration, for applications in sectors such as medical, pharmaceutical and industrial ones.



COMPRESSED AIR TREATMENT ACCESSORIES

Noitech's accessories are important parts of the compressed air system, built to maintain a high quality of the air, to avoid possible impurities and high levels of moisture.



WATER OIL SEPARATORS

Water oil separators are made of polypropylene and activated carbon, with the purpose of removing the oil from water, guaranteeing a high absorption rate combined with a great degree of durability.



SEPARATOR FILTERS FOR ROTARY VANE VACUUM PUMPS

Noitech's separator elements separate air from oil, trapping it in the filter so that it would not be able to circulate in the environment.



AIR FILTERS FOR VACUUM PUMPS

Noitech offers a wide range of air filters for vacuum pumps, made in cellulose, polyester, fiber glass and stainless steel, so that we can provide a filtration grade range from 3 up to 60 micron.



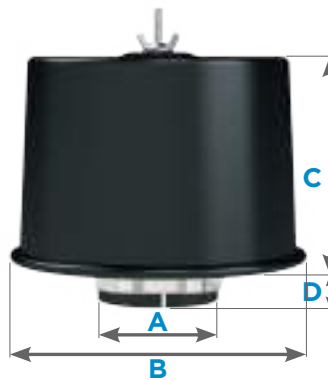
COMPLETE AIR FILTERS FOR VACUUM PUMPS

These accessories are built to protect the vacuum pump and side-channel blowers from dust or other polluting elements, enhancing the performance and durability of the machine.



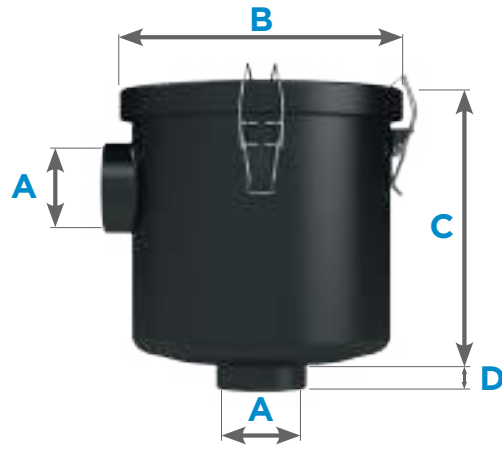
COMPLETE AIR FILTERS FOR BLOWERS WITH THREADED CONNECTION

NOITECH CODE	FLOW RATE M3/H	CONNECTION	DIMENSIONS				SPARE CARTRIDGE		STAINLESS STEEL ELEMENT	ACTIVE CARBON
		A	B	C	D	PAPER ELEMENT	POLIESTER ELEMENT			
NB 100044	12	3/8" G	55	43	14					
NB 100045	12	1/2" G	55	43	14					
NB 100019	24	1/2" G	95	75	30	NA 065560	NA 113560			
NB 100010	36	3/4" G	95	75	30	NA 065560	NA 113560			
NB 100011	84	1" G	130	85	40	NA 012060	NA P12060	NA R12060	NA A12060	
NB 100020	96	1" 1/4 G	135	85	45	NA 012060	NA P12060	NA R12060	NA A12060	
NB 100012	200	1" 1/2 G	135	116	45	NA 009760	NA 101460		NA 115560	
NB 100013	270	2" G	170	140	50	NA 012260	NA 000670	NA 000070	NA A00670	
NB 100014	480	2" 1/2 G	210	140	60	NA 011660	NA P11660			
NB 100015	900	3" G	290	175	60	NA 009560	NA 089960	NA R09560	NA A09560	
NB 100016	1350	4" G	320	220	60	NA 007560	NA 094460	NA R07560	NA A07560	



COMPLETE AIR FILTERS FOR BLOWERS WITH BAIL CONNECTION

NOITECH CODE	FLOW RATE M3/H	CONNECTION	DIMENSIONS				SPARE CARTRIDGE		STAINLESS STEEL ELEMENT	ACTIVE CARBON
		A	B	C	D	PAPER ELEMENT	POLIESTER ELEMENT			
NB 100001	30	20	95	80	20	NA 065560	NA 113560			
NB 100002	120	40	130	83	20	NA 012060	NA P12060	NA R12060	NA A12060	
NB 100003	210	52	130	115	20	NA 009760	NA 101460		NA 115560	
NB 100004	270	60	175	140	20	NA 012260	NA 000670	NA 000070	NA A00670	
NB 100005	480	80	210	140	20	NA 011660	NA P11660			
NB 100007	900	100	290	170	20	NA 009560	NA 089960	NA R09560	NA A09560	



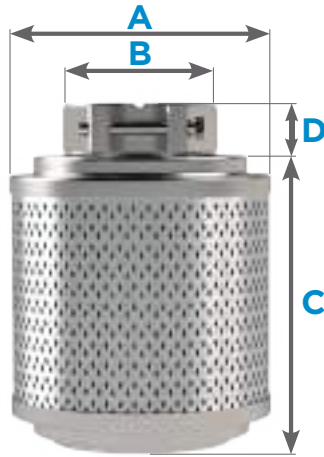
COMPLETE AIR FILTERS FOR VACUUM PUMPS

NOITECH CODE	FLOW RATE M3/H	CONNECTION	DIMENSIONS				SPARE CARTRIDGE			
		A	B	C	D	PAPER ELEMENT	POLIESTER ELEMENT	STAINLESS STEEL ELEMENT	ACTIVE CARBON	
NH 100001	24	3/8" G	74	64	11	NA 071560	NA P71560	NA R71560	NA A71560	
NH 100002	42	3/4" G	102	77	13	NA 009160	NA P09160	NA R09160	NA 097560	
NH 100003	42	1/2" G	102	77	13	NA 009160	NA P09160	NA R09160	NA 097560	
NH 100004	108	1"1/4 G	172	143	26	NA 012260	NA 000670	NA 000070	NA A00670	
NH 100005	96	1"1/4 G	135	81	7	NA 012060	NA P12060	NA R12060	NA A12060	
NH 100016	85	1" G	130	80	23	NA 012060	NA P12060	NA R12060	NA A12060	
NH 100006	192	1" 1/2 G	173	170	18	NA 065160	NA P65160	NA R65160	NA A65160	
NH 100007	310	2" G	200	227	15	NA 009660	NA 094360	NA 000170	NA A09660	
NH 100008	360	2" 1/2 G	200	227	15	NA 009660	NA 094360	NA 000170	NA A09660	
NH 100009	550	3" G	276	175	60	NA 009560	NA 089960	NA R09560	NA A09560	
NH 100010	720	4" G	276	175	60	NA 009560	NA 089960	NA R09560	NA A09560	
NH 100011	660	3" G	291	420	30	NA 000560	NA P00560	NA R00560	NA A00560	
NH 100012	1200	4" G	360	590	50	NA 002560	NA 093360	NA R02560	NA A02560	



HYDRAULIC AND OIL-WETTED MARINE FILTERS

These special filters are made to sustain a wide range of necessities from our clients while maintaining a high degree of efficiency over time.



OIL-WETTED MARINE AIR FILTERS

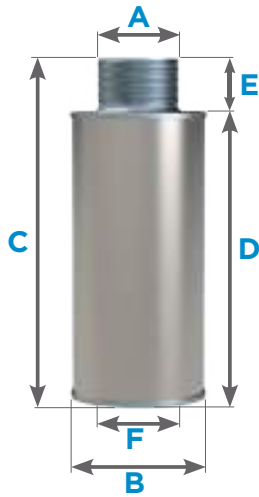
NOITECH CODE	FLOW RATE M3/H	DIMENSIONS			
		A	B	C	D
NF 100001	1,4	80	30	76	32
NF 100002	1,8	80	35	90	32
NF 100003	1,8	80	40	90	32
NF 100004	3,6	107	52	110	32
NF 100005	4,6	107	60	128	34
NF 100006	6	120	66	140	35
NF 100007	8	120	70	175	35
NF 100008	10	147	80	180	38
NF 100009	13	147	100	215	38
NF 100010	18	166	120	250	38
NF 100011	24	196	150	280	50
NF 100012	32	232	200	330	45



SILENCERS, MUFFLERS AND OIL BATH FILTERS

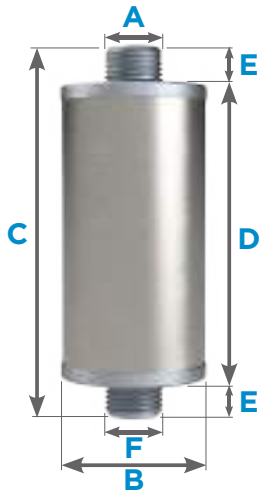
Noitech silencers are available in versions with single or double threaded bolt, suited for the installation on blowers, vacuum pumps and mufflers specifically made for absorption dryers.

We offer a wide range of oil bath filters, available in capacities from 90 m³ up to 350 m³.



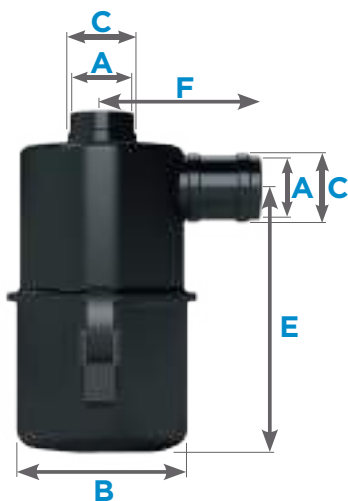
SILENCERS FOR VACUUM PUMPS WITH SINGLE THREAD

NOITECH CODE	CONNECTION	DIMENSIONS				
	A	B	C	D	E	F
NN 100001	1/2"	50	113	100	15	26
NN 100002	3/4"	50	120	100	20	26
NN 100003	1"	70	158	138	20	42
NN 100004	1 1/4"	70	188	138	50	42
NN 100005	1 1/2"	80	200	167	33	32
NN 100006	2"	89	231	198	33	61
NN 100007	2 1/2"	100	233	197	36	74
NN 100008	3"	152	485	400	85	88
NN 100009	4"	152	438	400	38	115



SILENCERS FOR VACUUM PUMPS WITH DOUBLE THREAD

NOITECH CODE	CONNECTION	DIMENSIONS				
	A	B	C	D	E	F
NN 100010	1/2"	50	126	100	13	1/2"
NN 100011	3/4"	50	140	100	20	3/4"
NN 100012	1"	70	174	138	18	1"
NN 100013	1 1/4"	70	240	138	52	1 1/4"
NN 100014	1 1/2"	80	231	167	32	1 1/2"
NN 100015	2"	89	262	198	32	2"
NN 100016	2 1/2"	100	270	198	36	2 1/2"
NN 100017	3"	152	575	405	85	3"
NN 100018	4"	152	476	400	38	4"



OIL BATH OIL FILTER

NOITECH CODE	FLOW RATE M3/H	CONNECTION	DIMENSIONS					REPLACE ELEMENT
		A	B	C	D	E	F	
NU 100001	90	1/2"	106	40	212	162	100	NU 100015
NU 100002	120	1"	130	50	210	156	105	NU 100012
NU 100003	250	1 1/2"	162	60	296	198	128	NU 100014
NU 100004	350	2"	185	67	340	226	142	NU 100004



VANE AND GASKET KIT FOR VACUUM PUMPS

Noitech's vane and gasket kits contain all of the necessary shaft seals, gaskets, o'rings and other items required for repair and maintenance of the vacuum pump.



SCB CONDENSATE DRAINS

Noitech supplies drains are used to release the condensed water from tanks and in-line filters, while the air loss.



SEPURA™ CONDENSATION TREATMENT

SEPURA™ offers a comprehensive range of condensate filtration solutions comprising low, mid and high capacity separators to suit most industrial applications, to obtain a cost-effective and environmentally beneficial solution for the treatment of air compressor condensate.

MODEL	HEIGHT (mm)	LENGHT (mm)	WIDTH (mm)	SHIPPING WEIGHT (kg)	CAPACITY (Lt)	INPUT	OUTPUT	MAX CAPACITY (cfm/m ³ min)	REPLACEMENT INTERVAL
SEP 60 ST	240	140	140	1,2	3	6mm Quick	10 mm Quick	60 / 1,7	<5000 hrs
SEP 120 ST	500	215	257	2,6	6	4 x 1/2" BSP 8 inputs (optional)	20 mm	120 / 3,4	<5000 hrs
SEP 360 ST	654	345	282	3,5	15		20 mm	360 / 10,2	<5000 hrs
SEP 900 ST	989	432	495	14,7	55		20 mm	900 / 25,5	<5000 hrs
SEP 1800 ST	989	990	520	31,2	2 x 55	8 x 1/2" BSP	20 mm	1800 / 51	<5000 hrs
SEP 3500 ST	1000	1000	7000	65	450 appx	2 X 3/4" BSP	22 mm	3500 / 100	<16000 hrs
SEP 7000 ST	1000	1000	1100	75	800 appx	2 X 3/4" BSP	22 mm	7000 / 200	<16000 hrs

**over
80.000
codes
always
up to date**

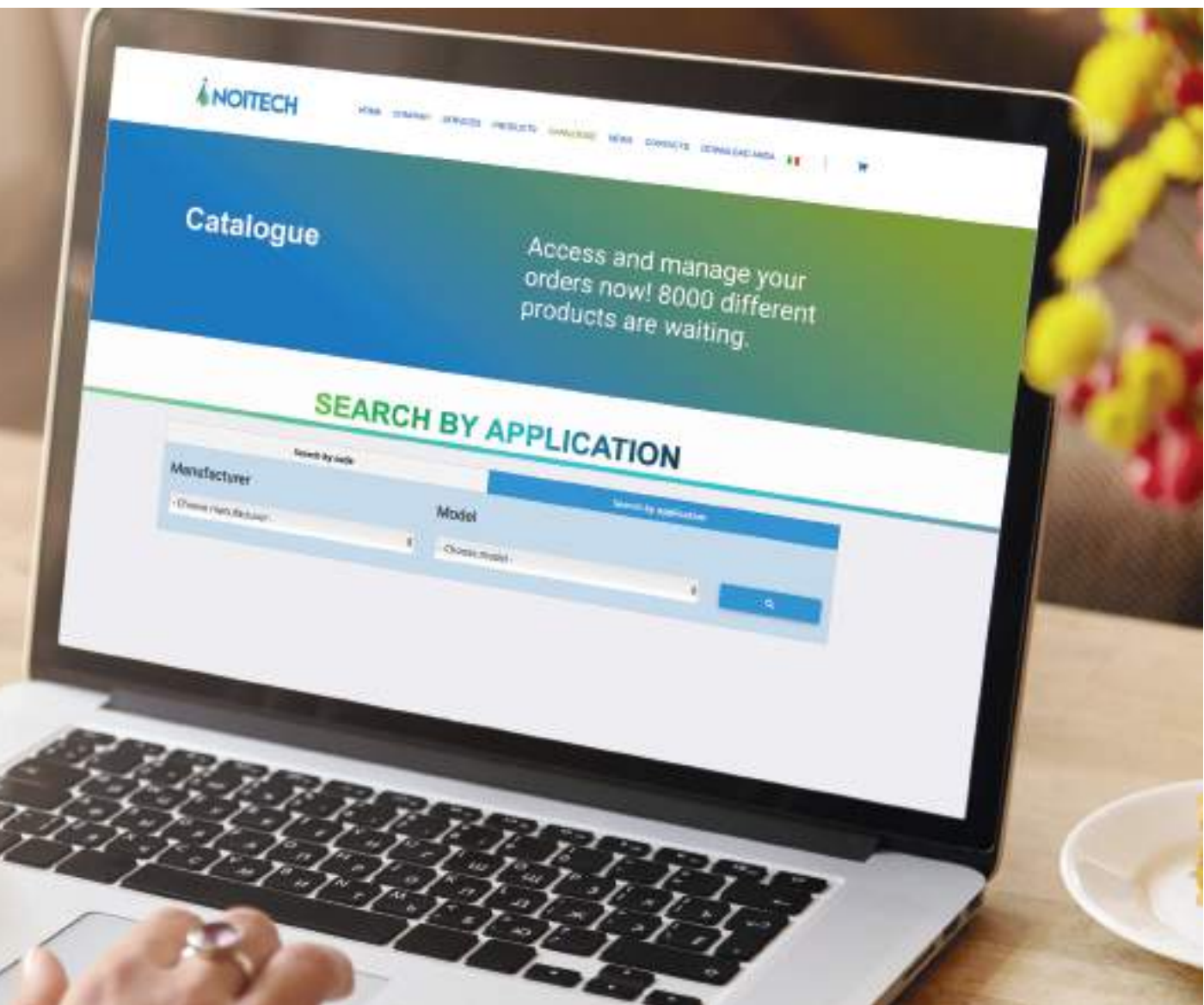
ON-LINE ORDER

Visit noitech.com
to discover our product ranges.

**Access and manage
your orders now!**

8.000 different products
are waiting.





WARRANTY

We guarantee that all filters in our range are free from defects either in materials or construction, always provided that the machinery is maintained in accordance with manufacturers' recommendations and filters are correctly installed and changed.

Noitech will replace any item found to be defective as described above but will not be held responsible for any other replacement or contingencies or consequential loss.

P.S: All the data (cross-reference numbers and others dates) shown in this catalogue were fully checked but they are not guaranteed. Additionally, Noitech would not be responsible for any variation implemented by OEMs after the publication of this catalogue. Please, feel free to contact our commercial department for any clarifications.





IQNet, the association of the world's first class certification bodies, is the largest provider of management system certification in the world. IQNet is composed of more than 38 bodies and covers over 100 subsidiaries all over the globe.

CERTIFICATO N. 34719/17/S
CERTIFICATE No.

SI CERTIFICA CHE IL SISTEMA DI GESTIONE PER LA QUALITÀ DI
 IT IS HEREBY CERTIFIED THAT THE QUALITY MANAGEMENT SYSTEM OF

NOITECH S.R.L.

VIA VOLTA, 23 10040 Druento (TO) ITALIA
 NELLE SEGUENTI UNITÀ OPERATIVE // IN THE FOLLOWING OPERATIONAL UNITS

VIA VOLTA, 23 10040 Druento (TO) ITALIA

È CONFORME ALLA NORMA // IS IN COMPLIANCE WITH THE STANDARD
ISO 9001:2015

PER I SEGUENTI CAMPI DI ATTIVITÀ // FOR THE FOLLOWING FIELD(S) OF ACTIVITIES

COMMERCIALIZZAZIONE DI FILTRI, KIT DI MANUTENZIONE, PARTI DI RICAMBIO PER POMPE A VUOTO E COMPRESSORI,
 FILTRI DI LINEA E ACCESSORI PER L'ARIA COMPRESSA, IAF-29

TRADING OF FILTERS, MAINTENANCE KITS, SPARE PARTS FOR VACUUM PUMPS, COMPRESSORS, IN LINE FILTERS
 AND ACCESSORIES FOR COMPRESSED AIR

La validità del presente certificato è subordinata e soggetta a verifiche periodiche annuali / annualità ed al rinnovo completo del sistema di gestione con periodicità triennale

The validity of this certificate is dependent on an annual / six monthly audit and on a complete review, every three years, of the management system

L'uso e la validità del presente certificato sono soggetti al rispetto del documento RIMA. Regolamento per la Certificazione di Sistemi di Gestione per la Qualità

The use and validity of this certificate are subject to compliance with the RIMA document - Rules for the certification of Quality Management Systems

Prima emissione First issue	26.01.2017	Data decisione di rinnovo Renewal decision date	24.01.2020
Data scadenza Expiry Date	25.01.2023	Data revisione Revision date	24.01.2020

Devide Torti
 Tunn Management System
 Certification, Head

Devidetorti

RINA Services S.p.A.
 Via Corsica 12 - 16128 Genova Italy



CISQ è la Federazione Italiana di Organismi di
 Certificazione dei sistemi di gestione accreditati
 CISQ is the Italian Federation of
 management system Certification Bodies



SGQ N° 002 A
 Istituto degli Assenti di Museo
 Riconoscimento EN, IAF e ILAC
 Signatory of EN, IAF and ILAC
 Mutual Recognition Agreements

noitech.com



Via A. Volta 23 Druento (TO) 10040 ITALY
T. +39 011 800 02 99 - info@noitech.com

NOITECH ASIA TRADING CO.LTD
#1188 Fugang Road, Xidu Economic Park,
Fengxian District, Shanghai, China
sales@noitech.com.cn

